

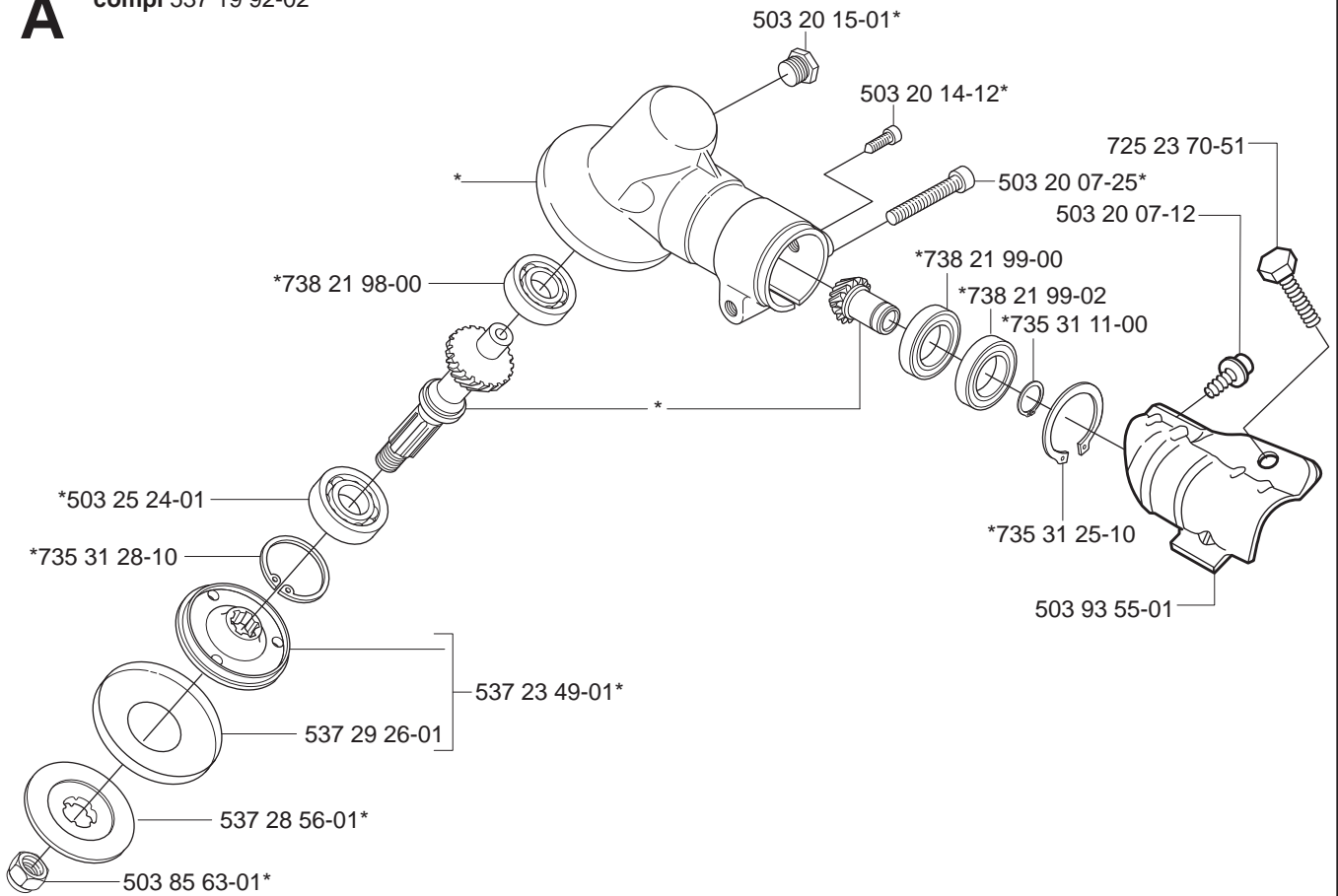
RECOMMENDED PARTS, ACCESSORIES, LUBRICANTS

324Lx TRIMMER

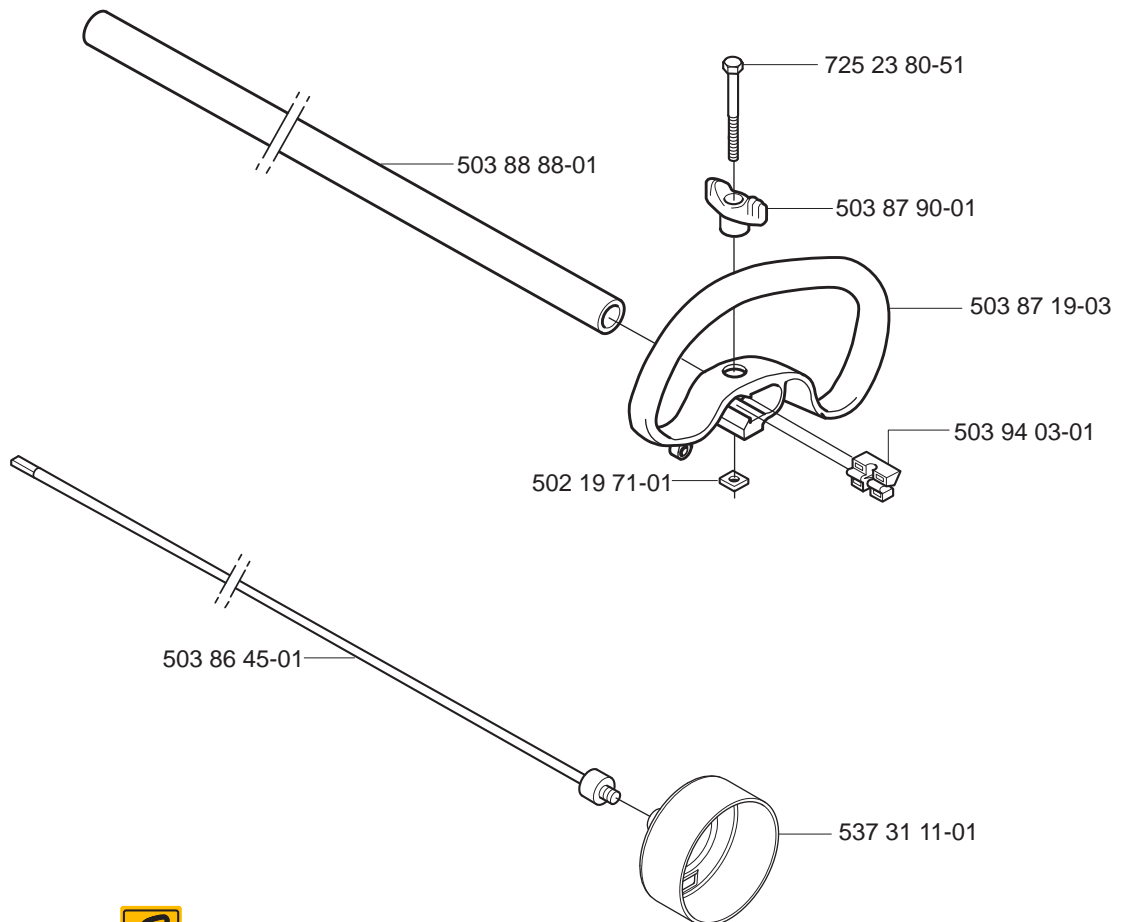
	<u>Item</u>	<u>Part Number</u>	<u>Description</u>
Normal Maintenance Parts	Air Filter	531 00 86-93	
	Air Filter Cover	537 31 14-01	
	Fuel Filter	531 00 87-09	
	Fuel Cap	531 00 87-08	
	Oil Cap	531 00 86-10	
	Ignition Module	531 00 87-14	
	Spark Plug	531 00 86-14	
	Start/Stop Switch	503 71 82-01	
	Starter Assy.	531 00 86-41	
	Starter Pawl	531 00 86-47	
	Starter Pully	531 00 86-43	
	Starter Pully Spring	531 00 86-45	
	Cylinder Cover	531 00 87-28	
	Cylinder Filter	531 00 87-25	
	Handle, Loop	503 87 19-03	
	Grass Shield	503 97 71-01	
Line Cutter	503 79 88-01		
Gear Head	537 19 92-01		
	<u>Item</u>	<u>Part Number</u>	<u>Description</u>
Trimmer Accessories	Trimmer Line	639 00 50-12	.080" Titanium Trimmer Line, 1/2 lb.
		639 00 50-02	.095" Titanium Trimmer Line, 1/2 lb.
		639 00 50-03	.105" Titanium Trimmer Line, 1/2 lb.
	Trimmer Head	531 30 01-94	T35 Trimmer Head
		531 30 03-64	T35 Replacement Spool
	Brush Cutter Blade	531 30 02-34	255-4 Brush Cutter Blade (When Used With a Barrier Bar Kit ONLY)
Barrier Bar Kit	537 04 85-02	Barrier Bar Kit - 300 Series Trimmers	
	<u>Item</u>	<u>Part Number</u>	<u>Description</u>
Lubricants	4 Stroke Engine oil	531 00 92-71	Four Stroke Engine Oil (SAE 10W-40) - 1 Bottle per Trimmer
	<u>Item</u>	<u>Part Number</u>	<u>Description</u>
Protective Apparel	Protective Glasses	531 30 00-11	Xtreme Protective Glasses
	Protective Gloves	531 30 02-70	Master Grip Gloves, Medium
		531 30 02-71	Master Grip Gloves, Large
		531 30 02-72	Master Grip Gloves, X-Large
	Hearing Protectors	505 66 53-04	Husqvarna Headband Hearing Protectors
		505 66 53-78	Husqvarna Landscaper Radio Hearing Protectors - Digital FM

A

*compl 537 19 92-02

**B**

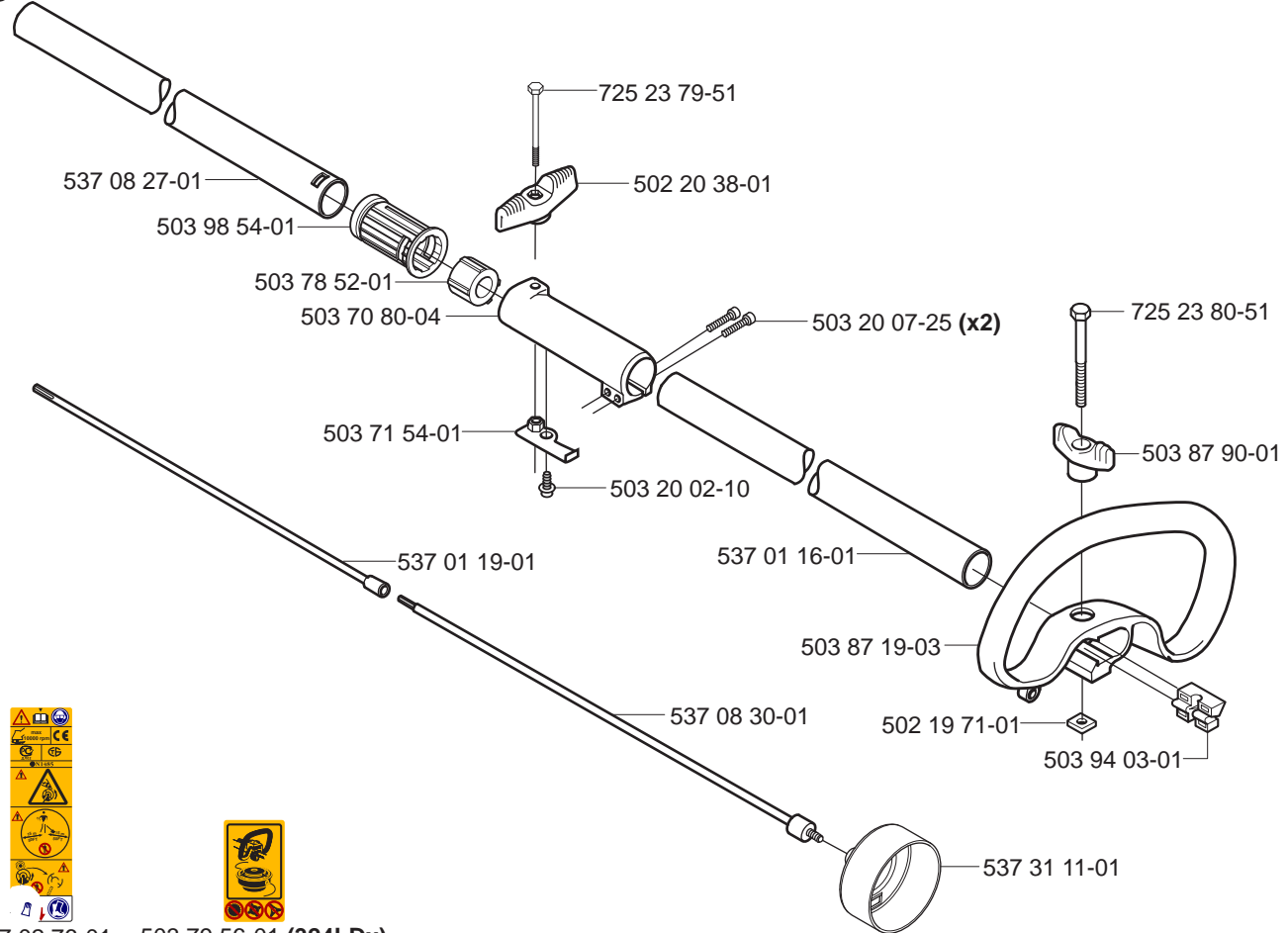
324Lx



537 02 76-01

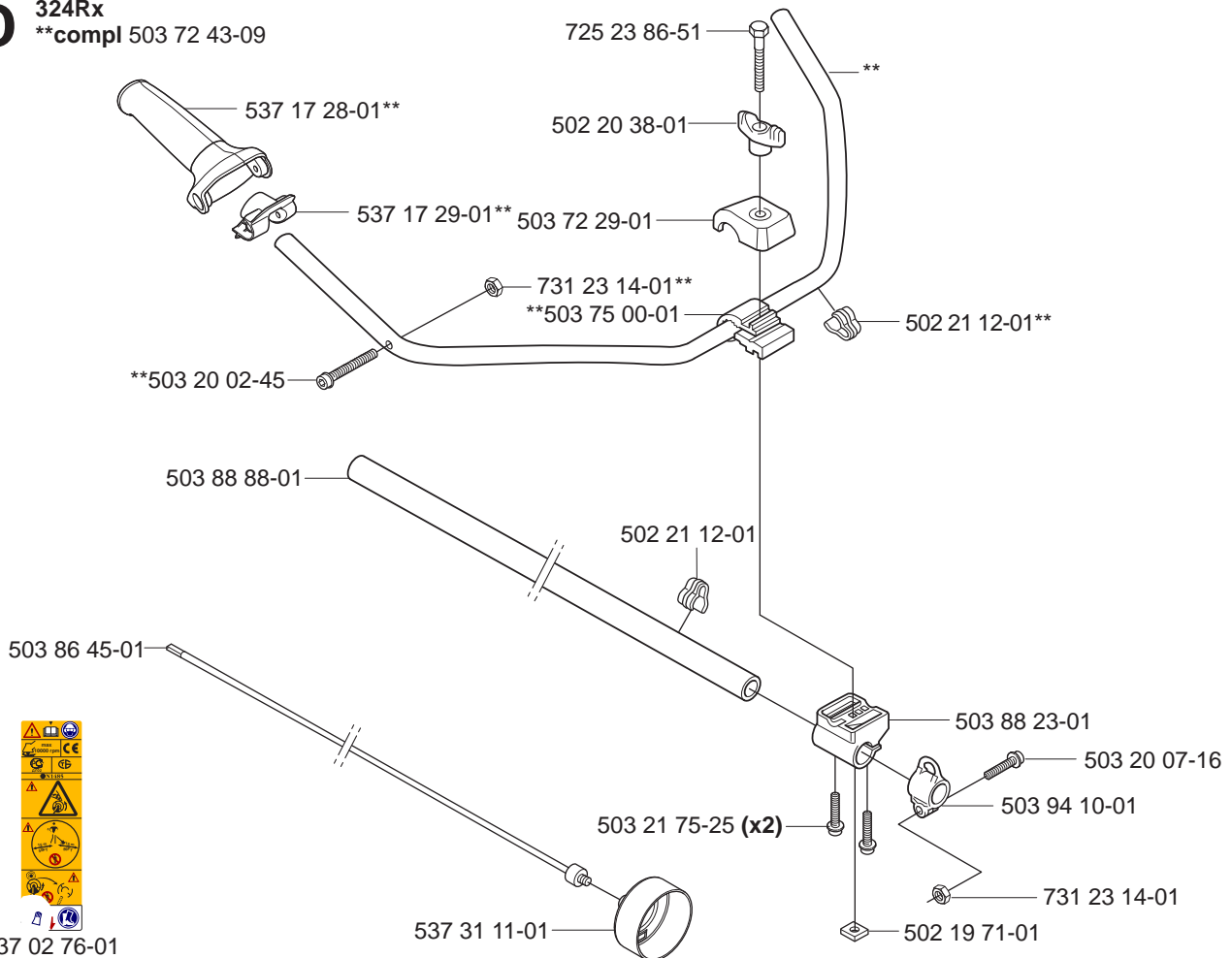
503 79 56-01 (324Lx)

C 324LDx



537 02 76-01 503 79 56-01 (324LDx)

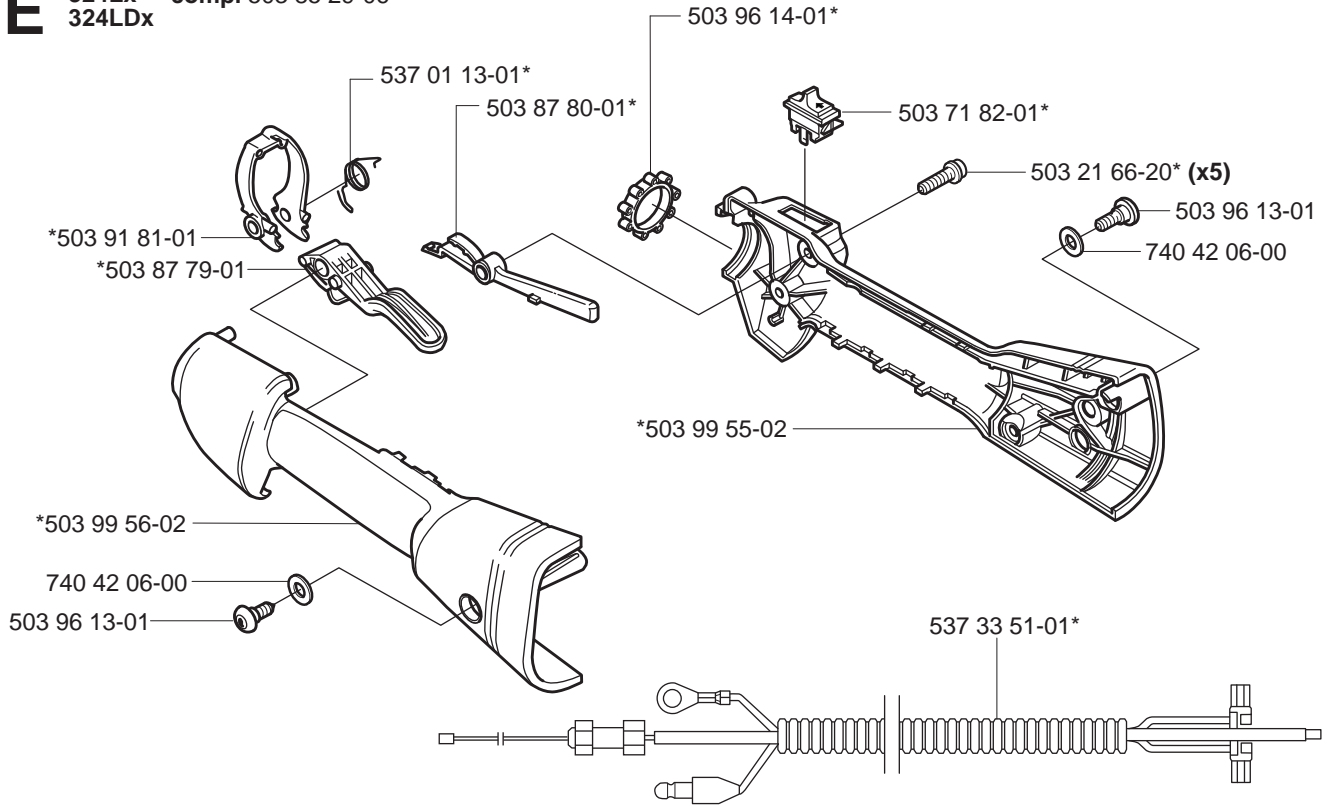
D 324Rx
**compl 503 72 43-09



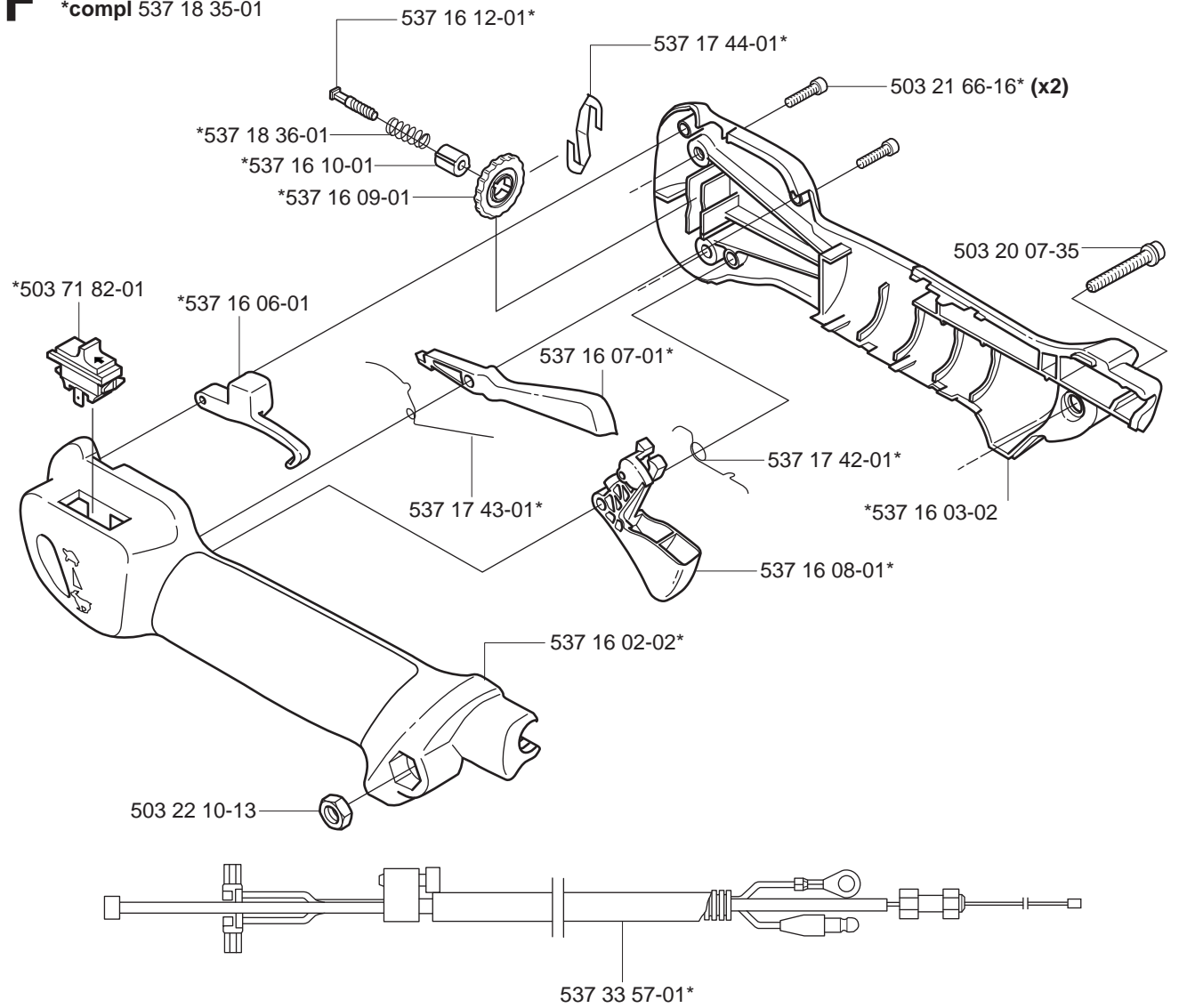
537 02 76-01

537 31 11-01

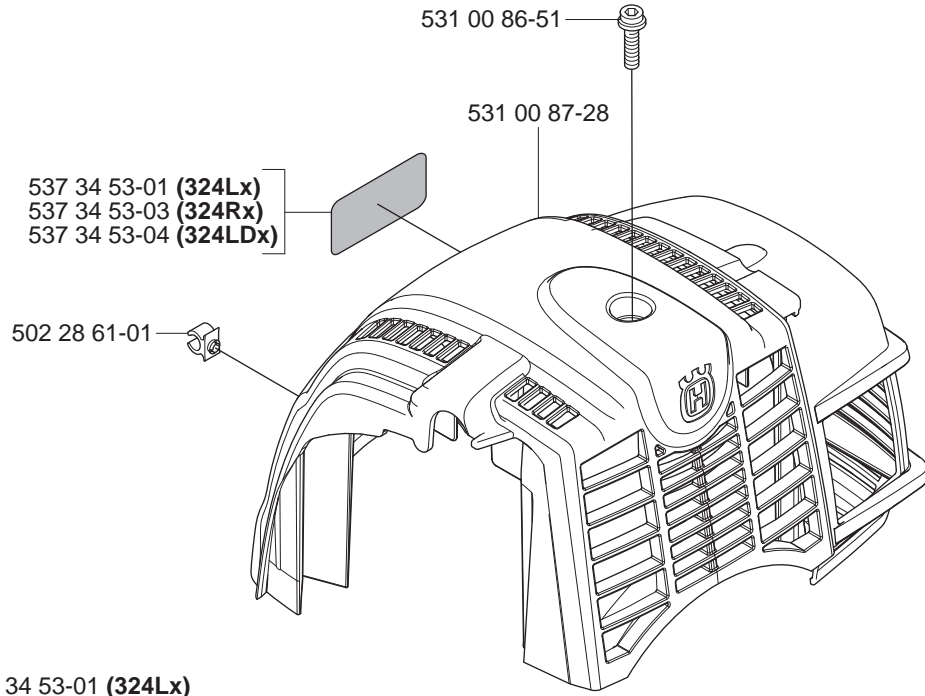
E 324Lx *compl 503 85 29-06
324LDx



F 324Rx
*compl 537 18 35-01



G



537 34 53-01 (324Lx)



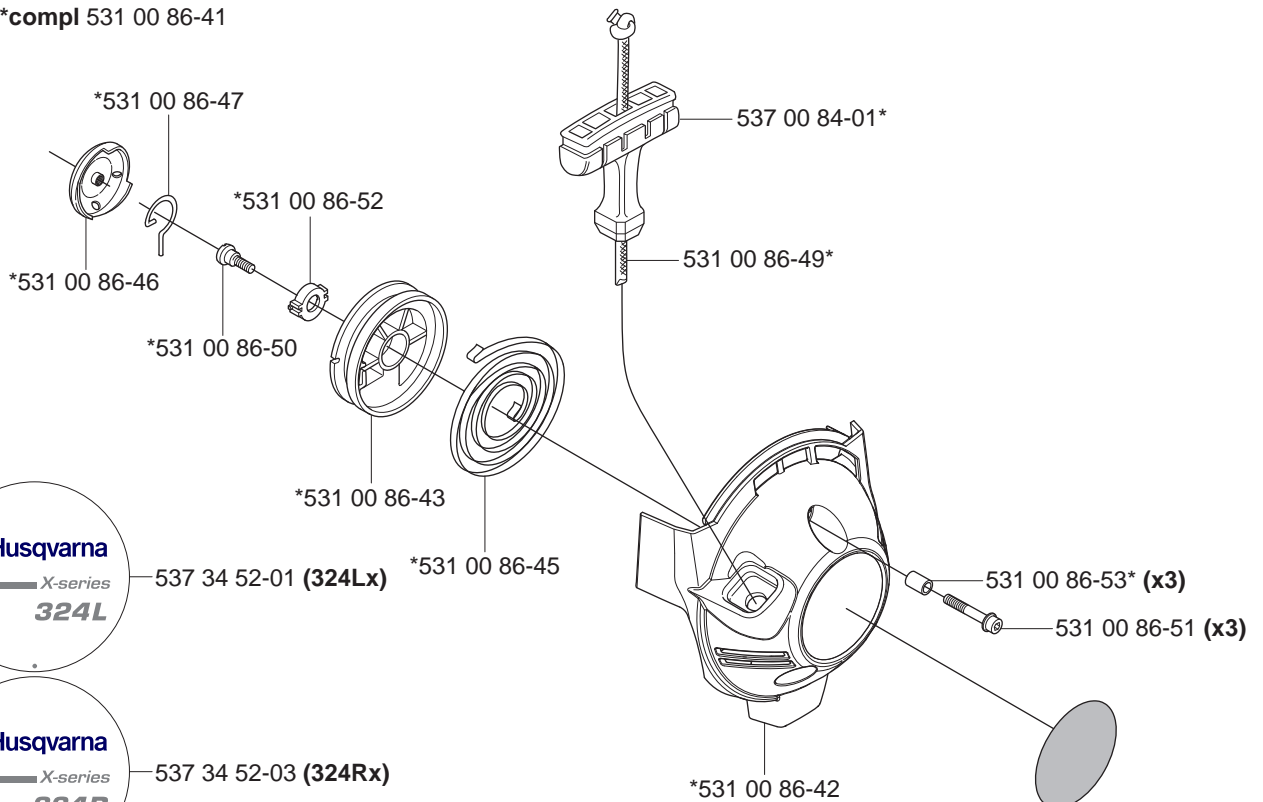
537 34 53-03 (324Rx)



537 34 53-04 (324LDx)

H

*compl 531 00 86-41



537 34 52-01 (324Lx)



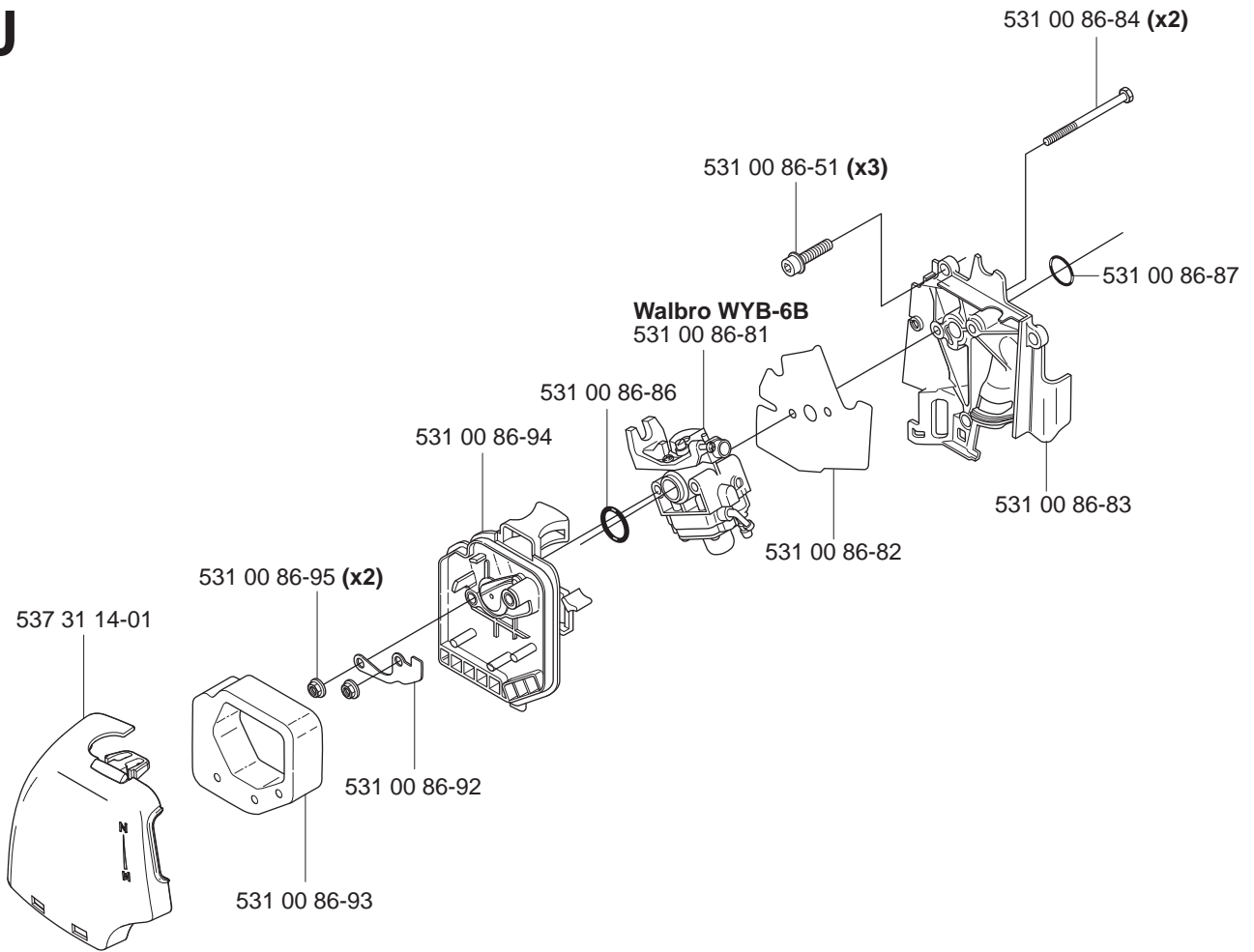
537 34 52-03 (324Rx)



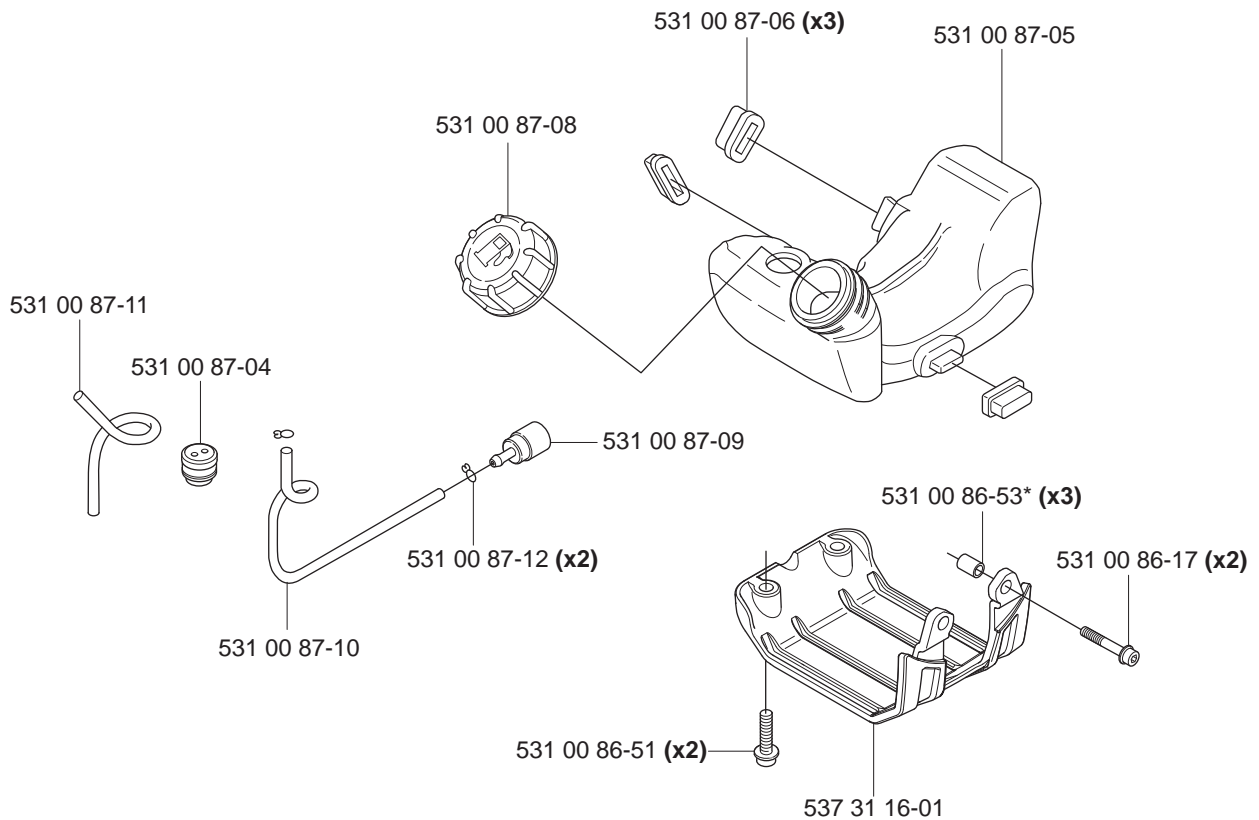
537 34 52-04 (324LDx)

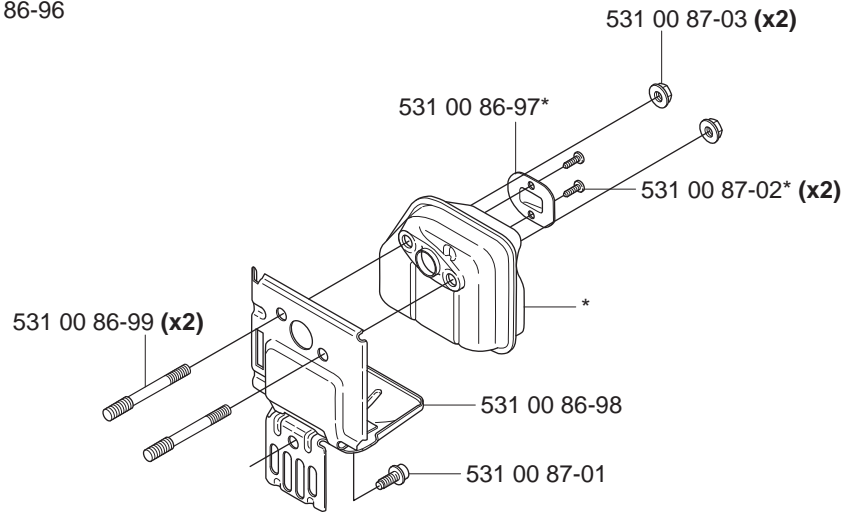
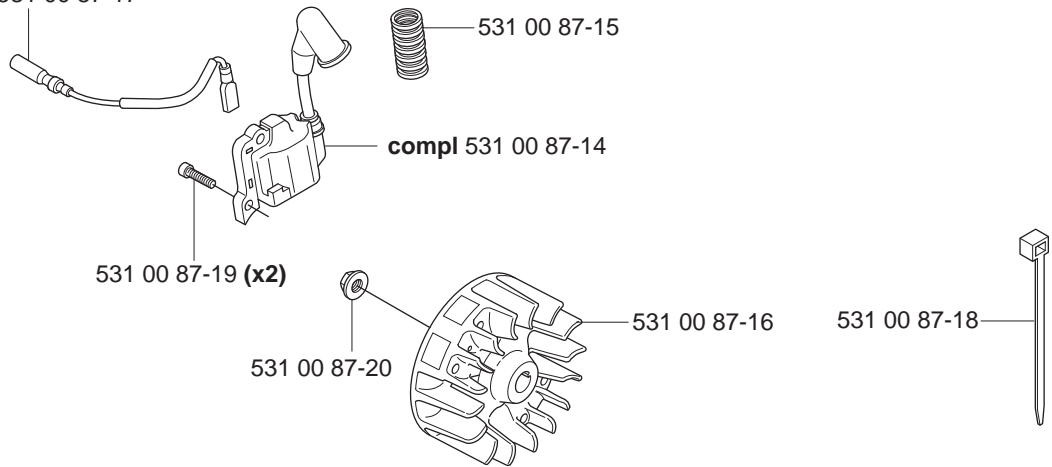
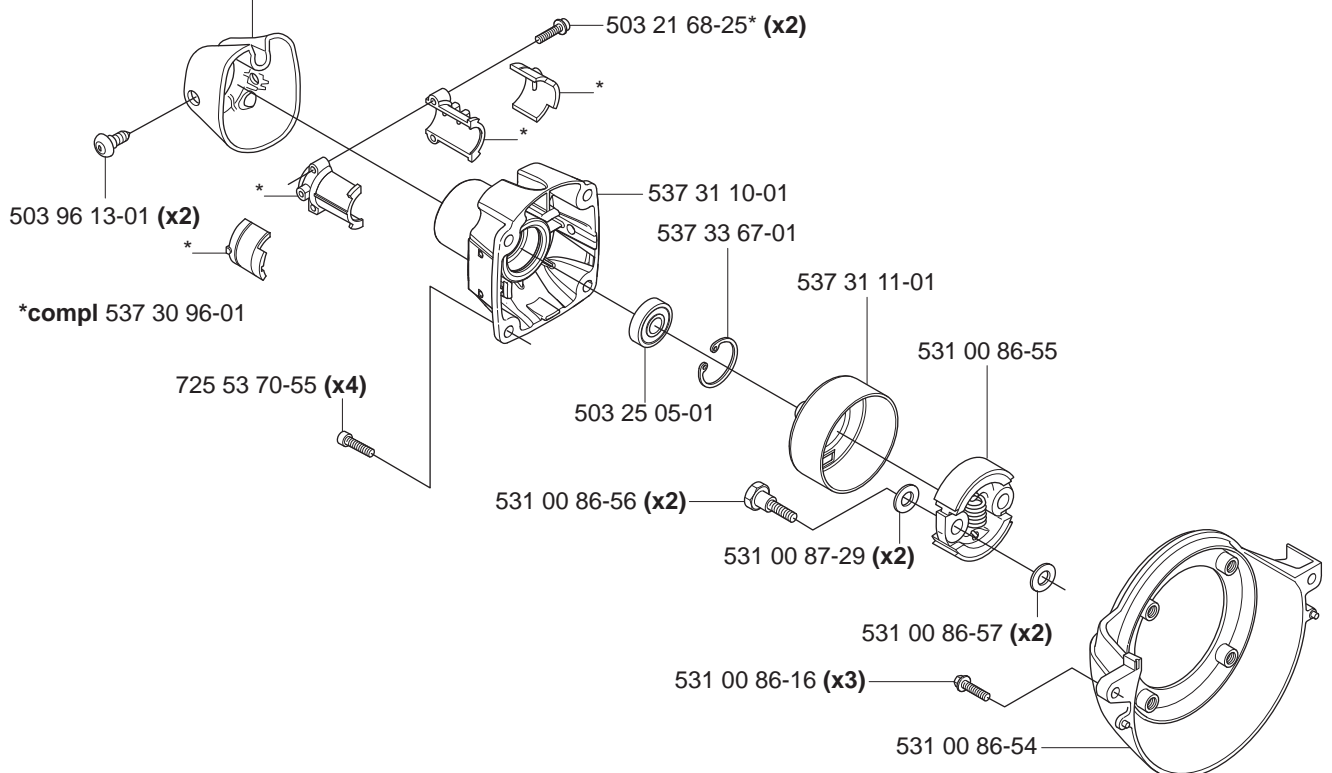
537 34 52-01 (324Lx)
537 34 52-03 (324Rx)
537 34 52-04 (324LDx)

J

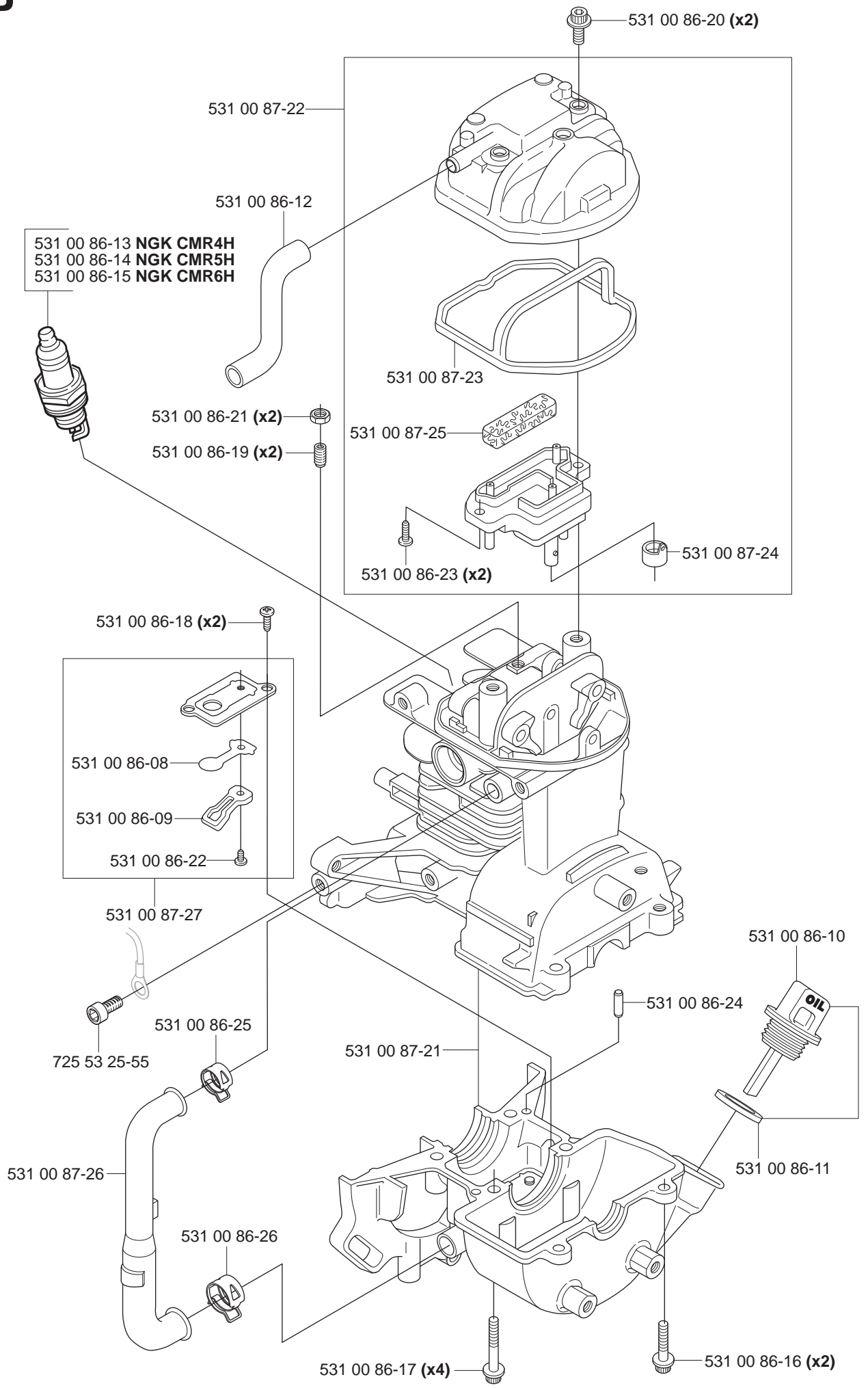


K

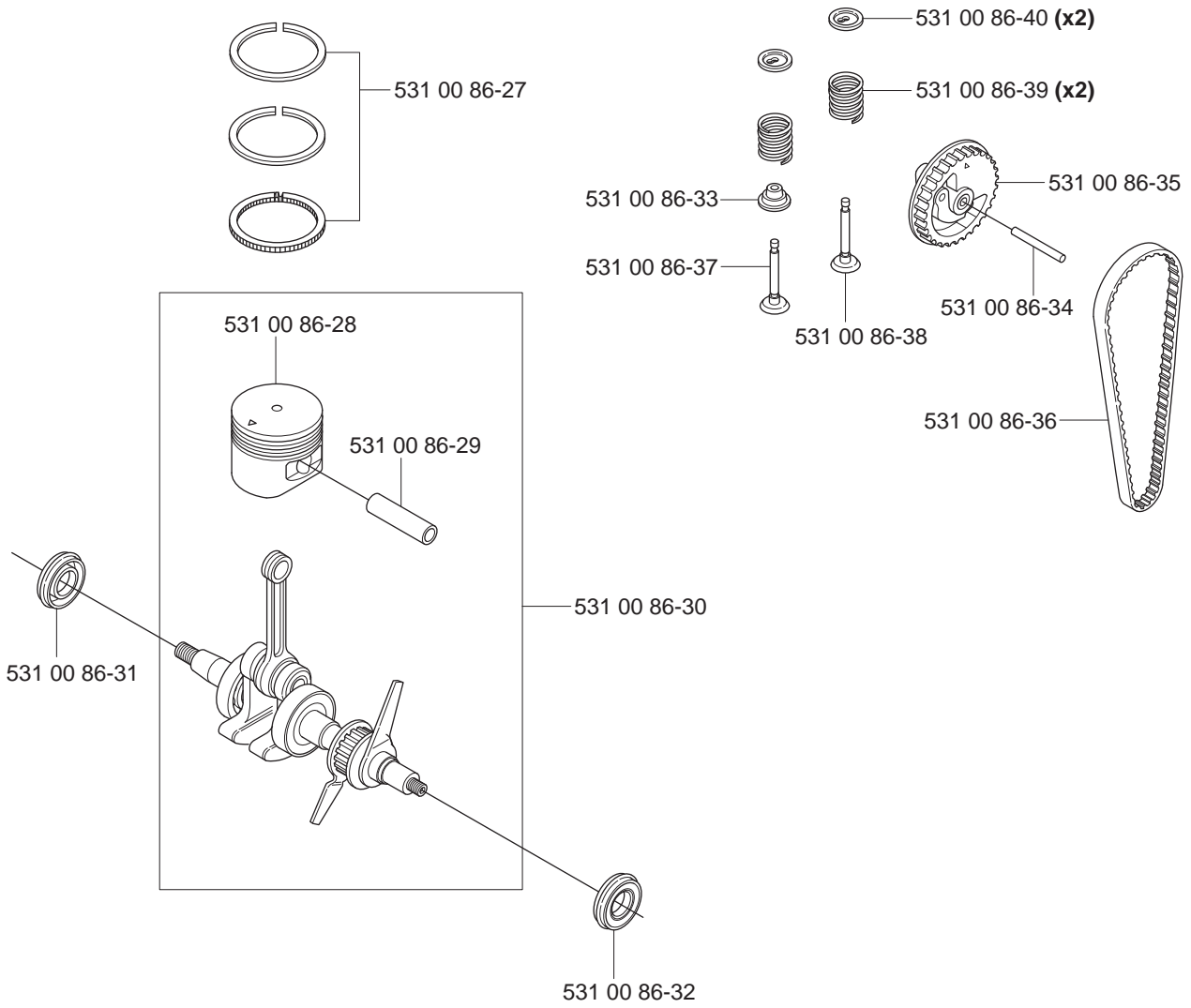


L***compl 531 00 86-96****M****compl 531 00 87-17****N****503 97 21-01 (324Rx)**

P

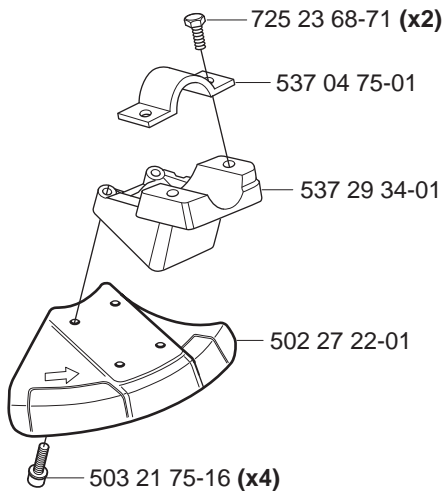


Q

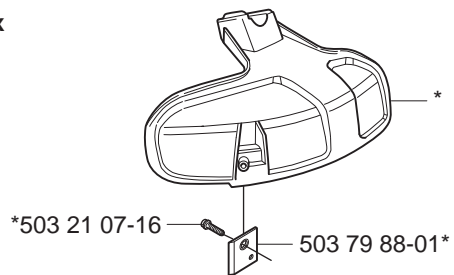


R Accessories Zubehöre Accessoires Accesorios Tillbehör

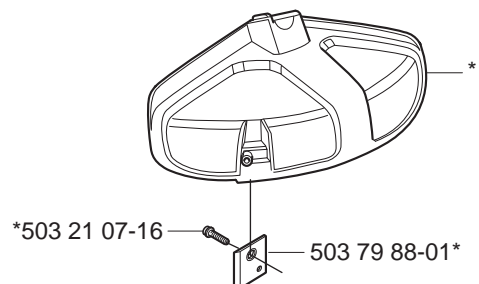
*compl 537 29 95-01
324Rx



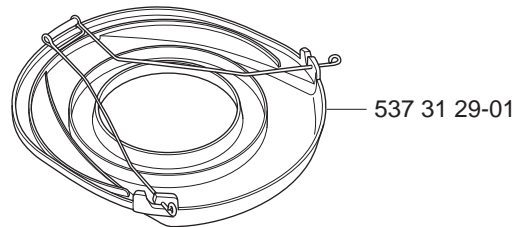
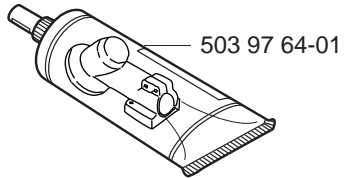
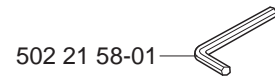
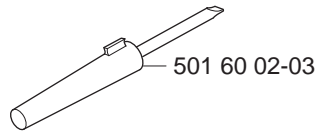
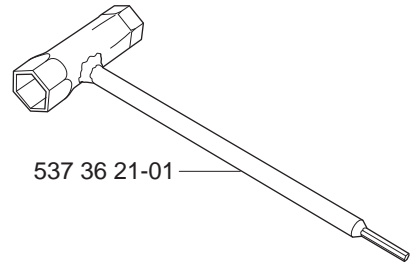
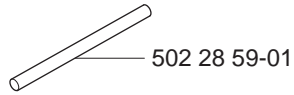
*compl 503 97 71-01
324Lx
324LDx



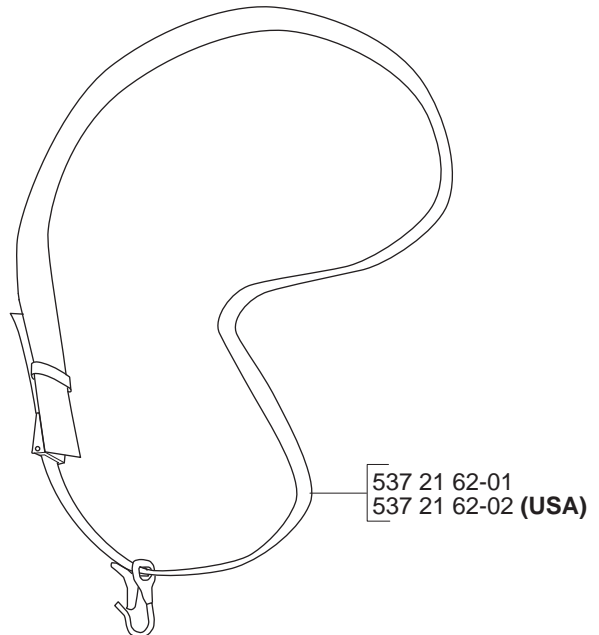
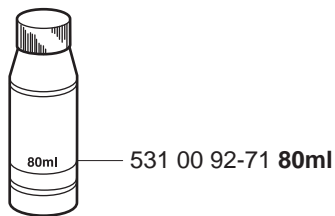
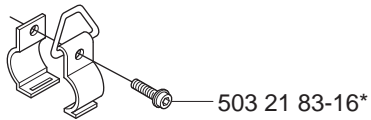
*compl 503 93 42-02
324Rx



R Accessories
Zubehöre
Accessoires
Acessorios
Tillbehör



*compl 501 78 33-01

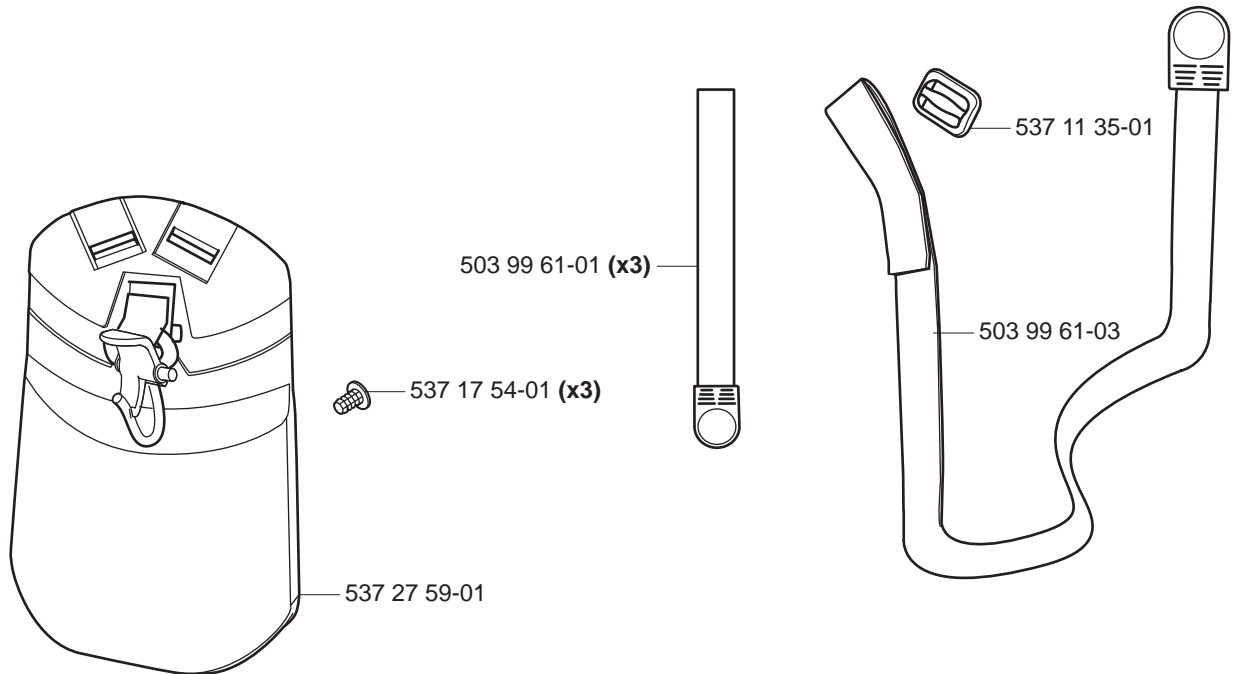
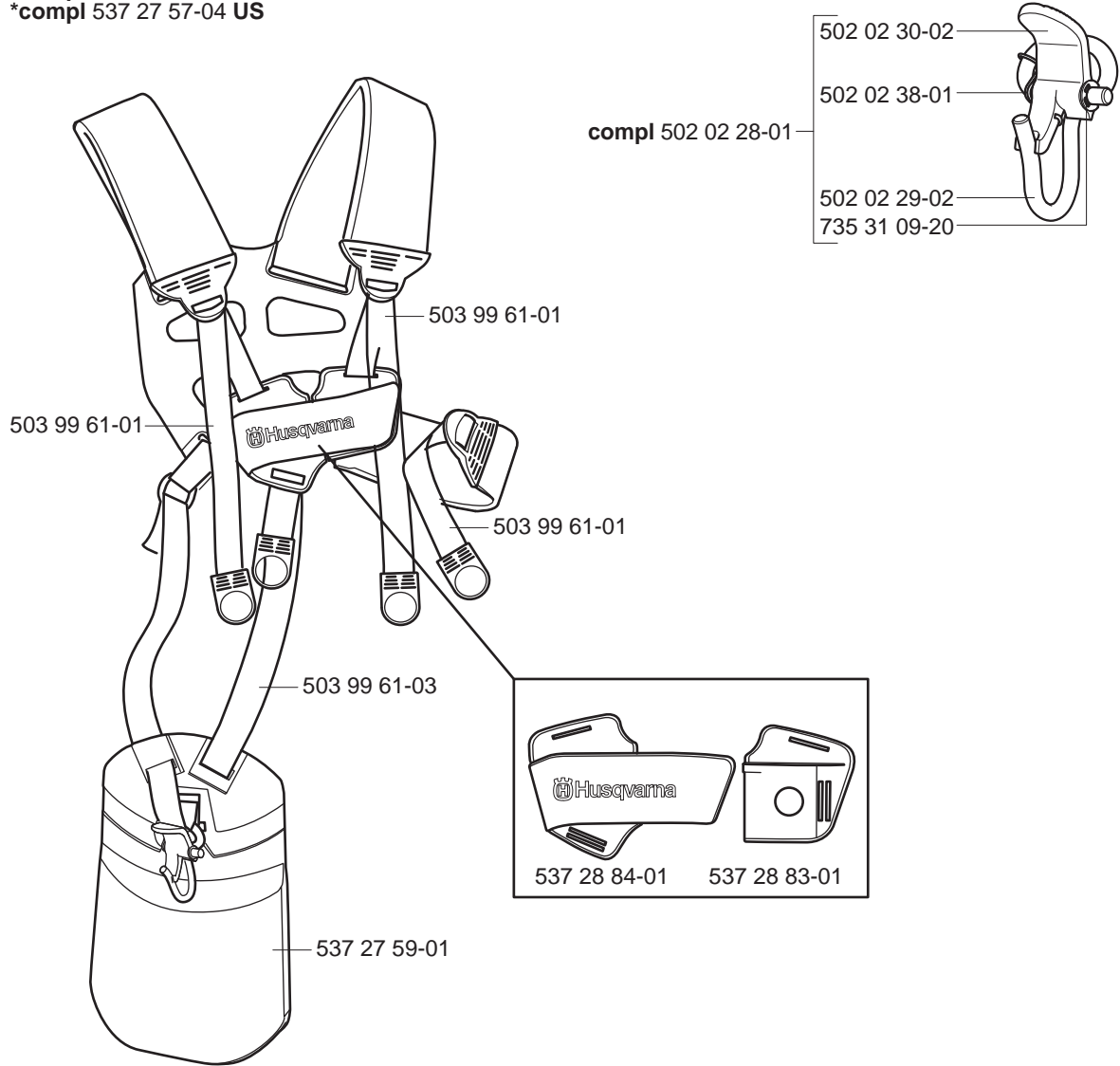


R

Duo Balance

*compl 537 27 57-02

*compl 537 27 57-04 US



S

*compl 531 00 86-81 Walbro WYB-6B

Walbro WYB-6B

